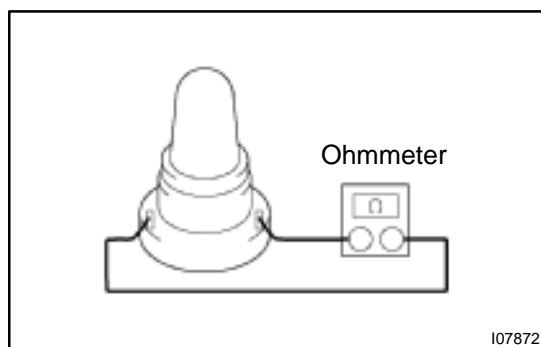


INSPECTION

1. INSPECT ILLUMINATION OPERATION

Connect the positive (+) lead from the battery to terminal 8 and negative (-) lead to terminal 10 then check that the illuminations lights up.

If operation is not as specified, check the faulty bulb.

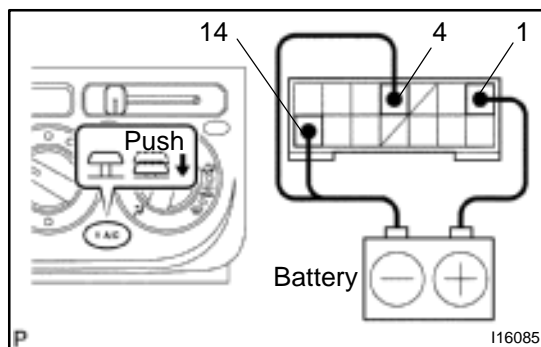


2. INSPECT BULB

Using an ohmmeter, apply the tester as shown in the illustration to the test for continuity.

If continuity exists, replace the heater control.

If no continuity exists, replace the bulb.

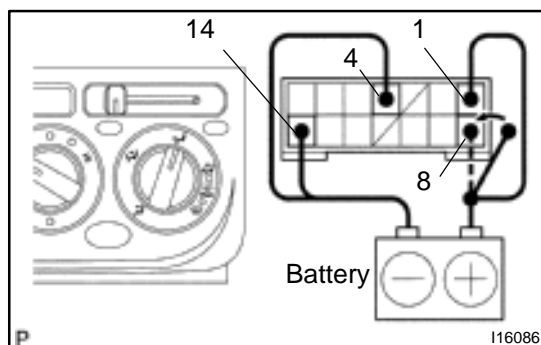


3. INSPECT A/C INDICATOR OPERATION

(a) Connect the positive (+) lead from the battery to terminal 1 and the negative (-) lead to terminals 4 and 14.

(b) Push the A/C button in and then check that the indicator lights up.

If operation is not as specified, replace the switch.

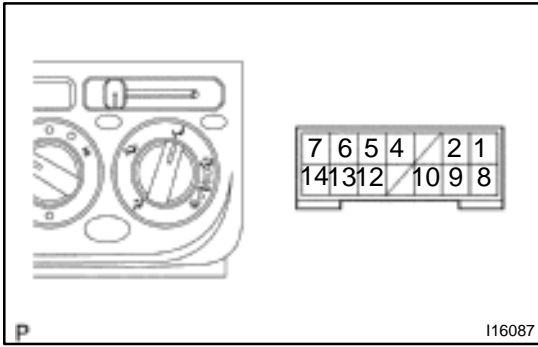


4. INSPECT DIMMING OPERATION

(a) Connect the positive (+) lead from the battery to terminal 1 and the negative (-) lead to terminals 4 and 14 while pressing the switch.

(b) Connect the positive (+) lead from battery to terminal 8 and then check that the indicator dims.

If operation is not as specified, replace the switch.



5. INSPECT A/C SWITCH CONTINUITY

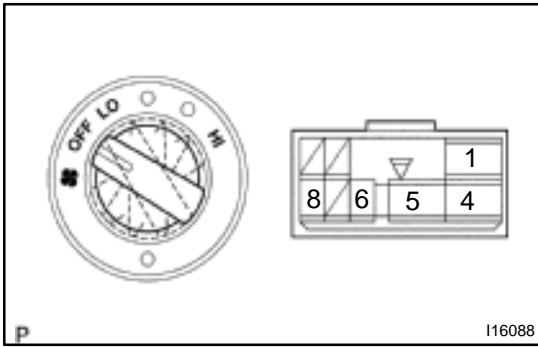
Condition/Circuit	Tester connection	Specified condition
OFF	–	No continuity
ON	7 – 4	Continuity

Switch continuity:

If continuity is not as specified, replace the switch.

Illumination circuit:

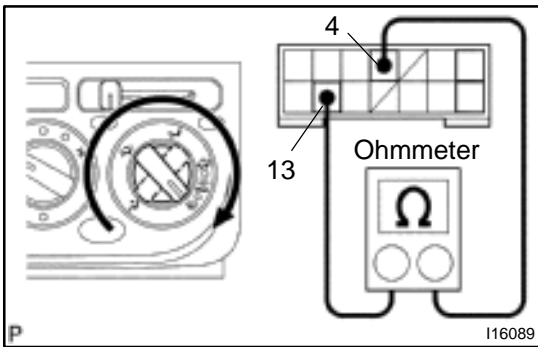
If continuity is not as specified, replace the bulb.



6. INSPECT BLOWER SPEED CONTROL SWITCH CONTINUITY

Position/ Circuit	Tester connection	Specified condition
OFF	–	No continuity
LO	1 – 8	Continuity
M1	1 – 6 – 8	Continuity
M2	1 – 5 – 8	Continuity
HI	1 – 4 – 8	Continuity

If continuity is not as specified, replace the switch.



7. INSPECT DEFROSTER MODE SWITCH OPERATION

Position/ Circuit	Tester connection	Specified condition
OFF	–	No continuity
ON	4 – 13	Continuity

If no continuity exists, replace the switch.

8. INSPECT REAR DEFOGGER SWITCH OPERATION (See page BE-48)

9. INSPECT SECURITY INDICATOR LIGHT (See page DI-352)

10. INSPECT PASSENGER AIRBAG MANUAL ON-OFF INDICATOR OPERATION (See page RS-50)